

B & B

Manufactures special elastomer
product for Ball Milling Machines



B & B

Manufactures special elastomer products having a specific use in the extraction, mining, cement and ceramic fields. It designed a patented revolutionary system for the rubber coating of continuous and discontinuous mills employed in the ceramic industry.



Snap Modular System

The revolution of this innovation is the use of a rubber snap modular system assembled on guides fixed to the mill without needing to drill it. Great advantages are then obtained as far as the mill tightness and rigidity are concerned.

The snap modular system allows you to sensibly shorten assembly times, by replacing the worn out modules easily and safely (by applying simple pressure).

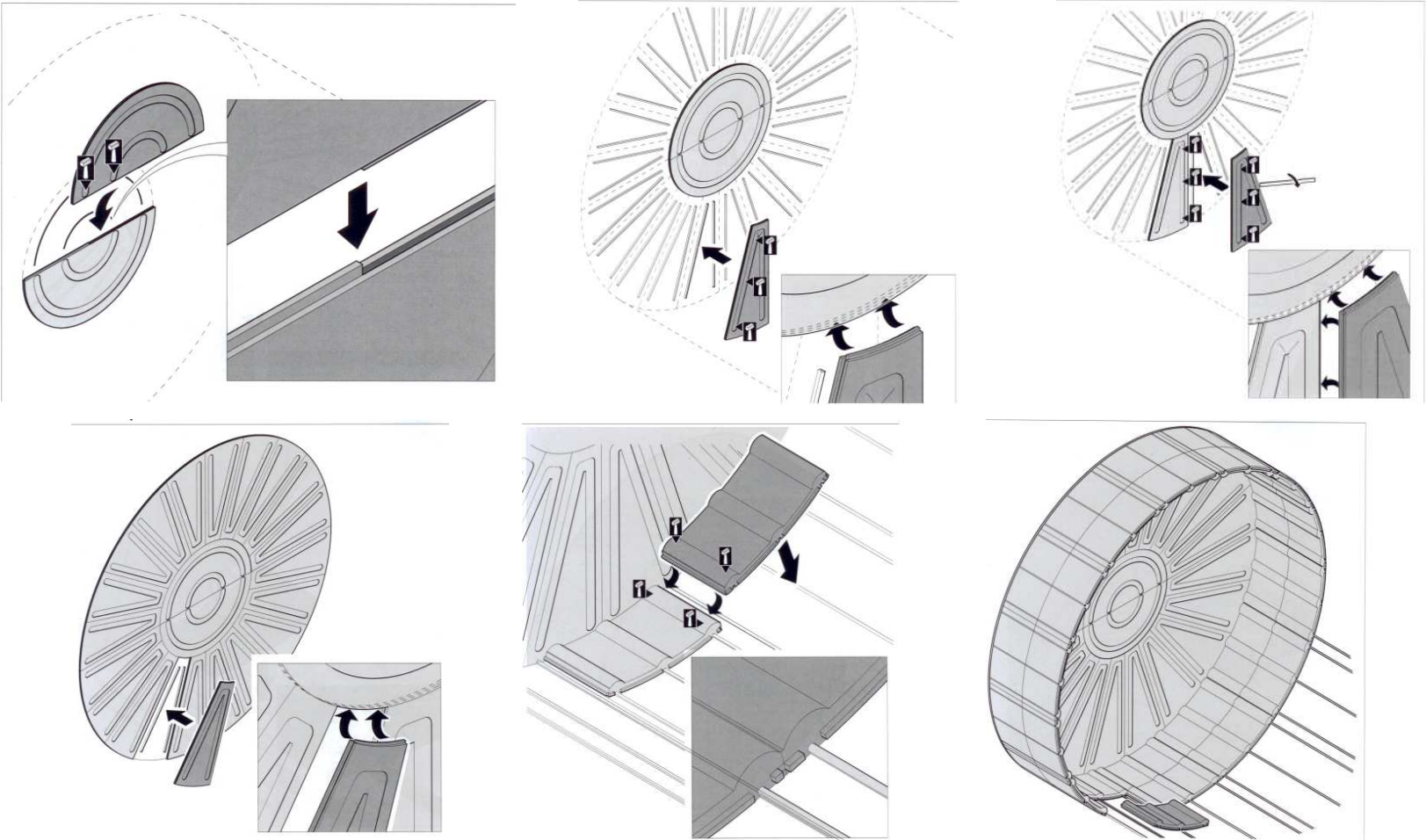


Snap Modular System

- Our snap modular system not only summarizes all the advantages of traditional rubber coatings, but it also ensured important innovations such as:
 - The shaped geometry of modules ensures a slower and more uniform wear of the coating.
 - The mill body is not drilled and therefore the torsion rigidity is not affected and the flexural strength is improved.
 - As the module is symmetric, it allows the mill rotation clockwise and counter-clockwise.



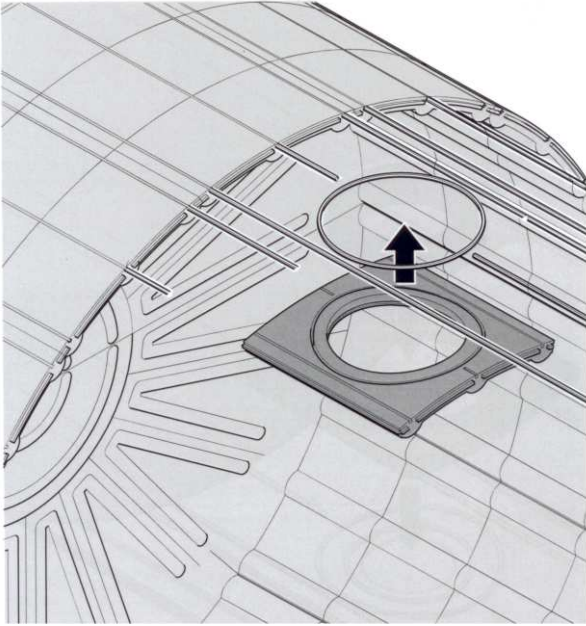
Snap Modular System Assembly



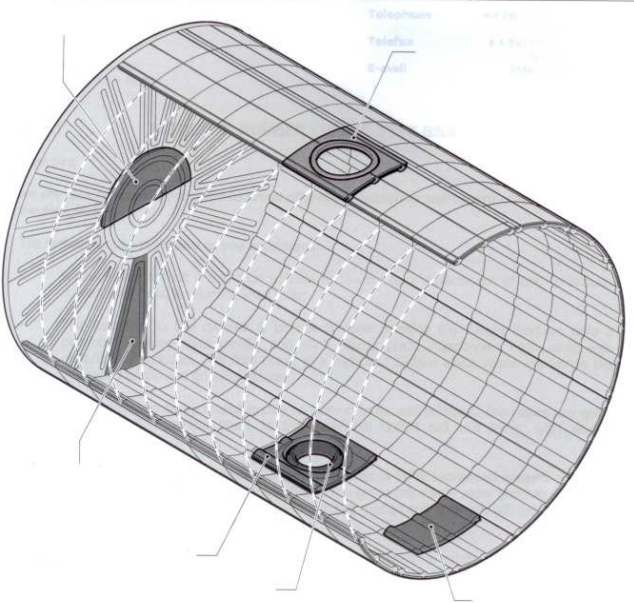
This symbol indicates the points at which pressure is to be applied.



Snap Modular System Assembly



Inserting the manhole section



Completed Mill



Equipment

- Snap Modules for Vibrating Screens

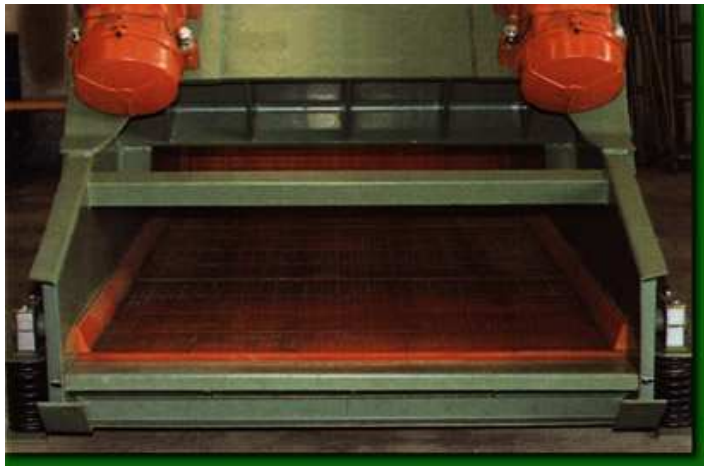


- Snap Modules for Rotary Screens



Equipment

- Draining Module for Dewatering Screens



- Polyurethane draining snap module reinforced for screens



Equipment

- Special Polyurethane Plates with pressure caps for coating of ducts, hoppers, etc.
- Continuous Mill



Equipment

- Discontinuous Mill (Ball Mill)
- Mill inside With Convex Head

